

VANTA™ Handheld XRF

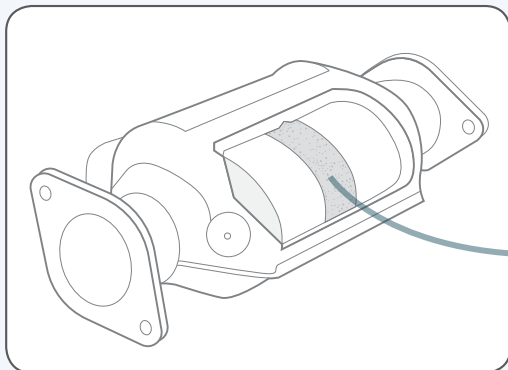
for Car Catalyst Analysis

Vanta™ analyzers quickly and accurately measure the valuable metals platinum (Pt), palladium (Pd), and rhodium (Rh) in catalytic converter material.

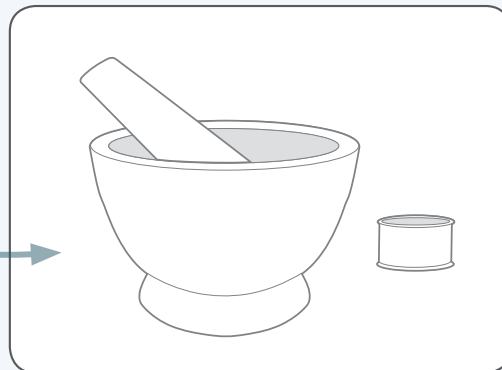
On-the-spot measurements enable you to:

- Quickly sort catalytic converters recover the precious metals
- Precisely measure the platinum group metal (PGM) concentration in minutes for price calculation
- Identify low-value monoliths (unloaded or washed-out)

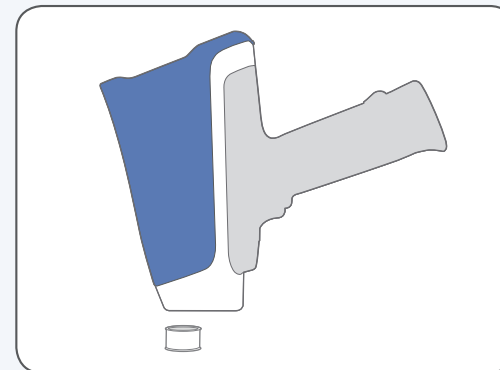
For the most representative and accurate results, we recommend that samples be prepared by grinding and sieving and be homogenized before XRF analysis.



Extract monolith from the catalytic converter



Prepare sample by grinding and sieving



Analyze the monolith or powder with Vanta handheld XRF

Car Catalyst		
El	PPM	+/- 3σ
Pt	441	14
Pd	332	4
Rh	128	3
Ti	6540	210
V	1080	74
Cr	214	41
Mn	252	14
Fe	3153	32
Ni	874	9

Ready OLYMPUS