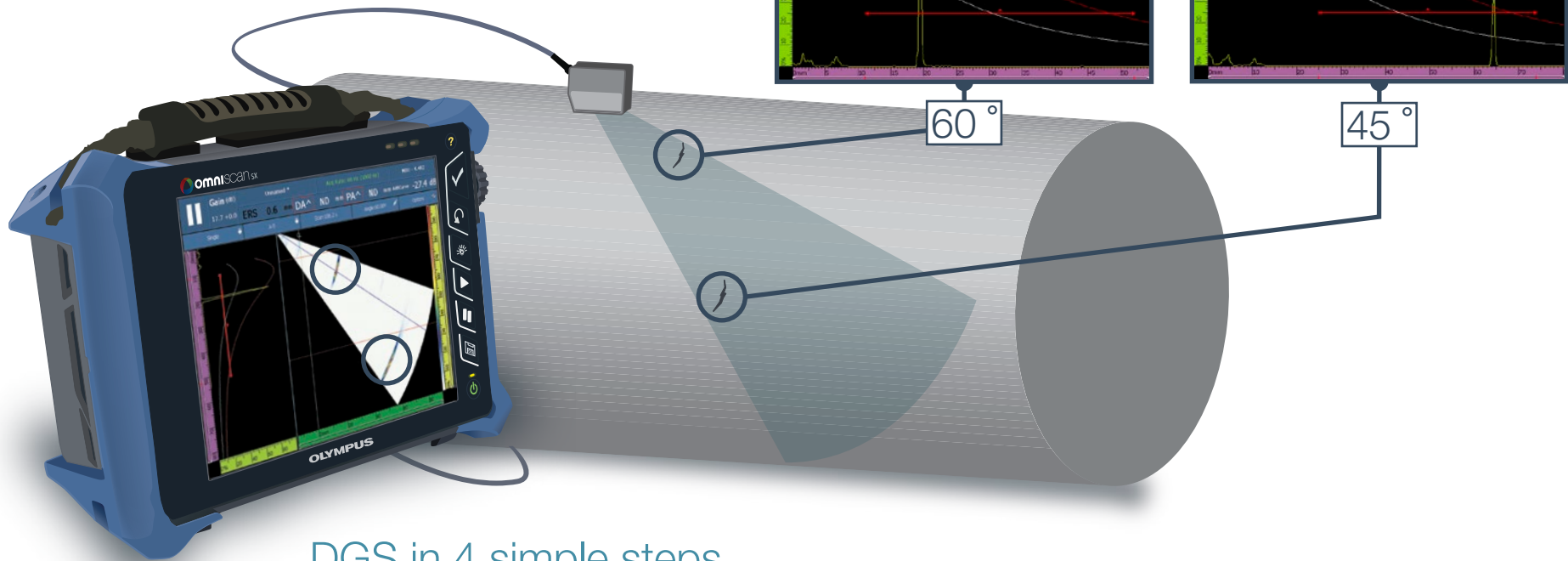


Find Flaws Fast with Distance Gain Sizing (DGS)

Use DGS on your OmniScan® SX flaw detector to streamline your inspections.

1 Feature that Saves You Time
1 reflector • 1 calibration • 1 S-scan



DGS in 4 simple steps

1. Start the DGS wizard
2. Enter your inspection parameters
3. Calibrate all focal laws on a single reflector
4. Conduct your inspection